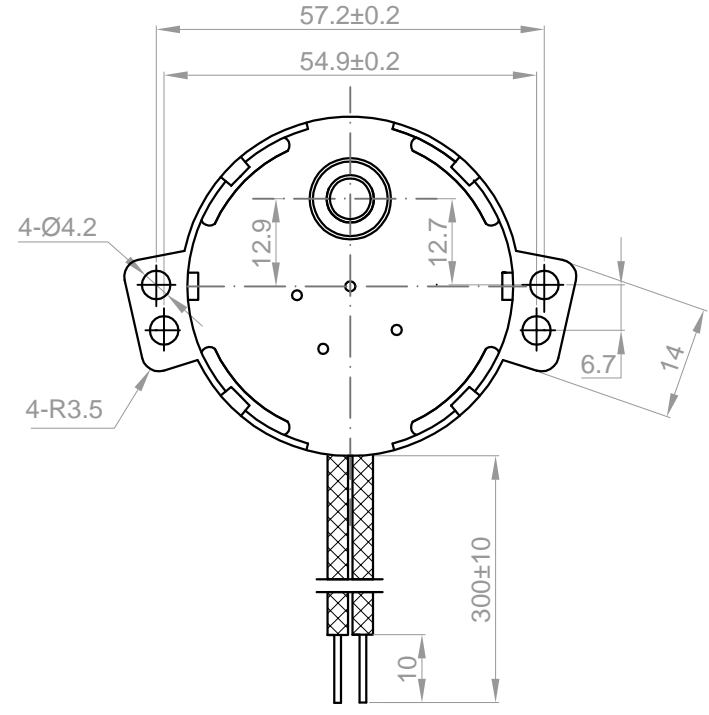
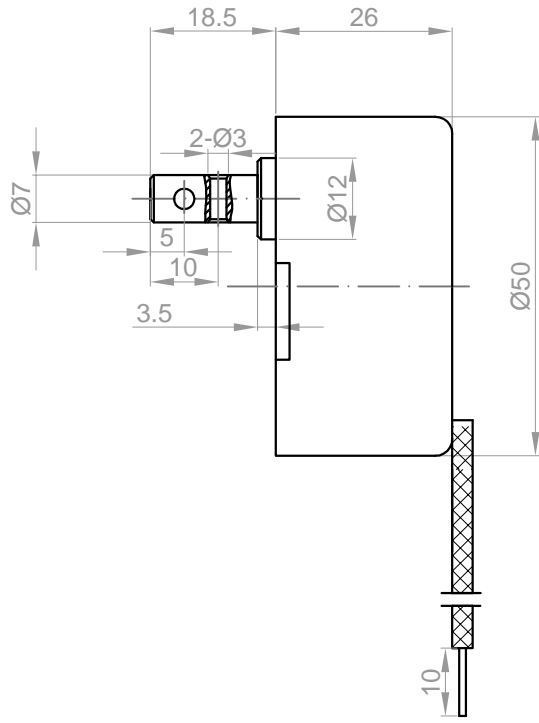


| Rev. | Description | Date |
|------|-------------|------------|
| 01 | Release | 06/07/2013 |



| No. | Item | Specification | No. | Item | Specification |
|-----|---------------|---------------|-----|--------------------|-----------------|
| 1 | Rated Voltage | 110 VAC | 7 | Temperature rise | 60 K Max |
| 2 | Rated Speed | 2.5/3 RPM | 8 | Rotation direction | CW / CCW / FREE |
| 3 | Input Power | 4 /3.5W MAX | | | |
| 4 | Input Current | 50/40 mA MAX | | | |
| 5 | Rated torque | 12/10 Kgf.cm | | | |
| 6 | Frequency | 50/60 Hz | | | |

| | | |
|-----------|---------|------------|
| Drawn | Gimy | 06/07/2013 |
| Checked | Sara | 06/07/2013 |
| Eng Appr. | | |
| Mfg Appr. | | |
| Q.A. | | |
| SKU | 1311084 | |

Kysan Electronics
www.kysanelectronics.com
Email : info@kysanelectronics.com

| | | |
|------------|-------------|-------------|
| Size : A4 | Weight(Kg): | Unit: mm |
| Scale: 2:1 | | Sheet 1of 1 |