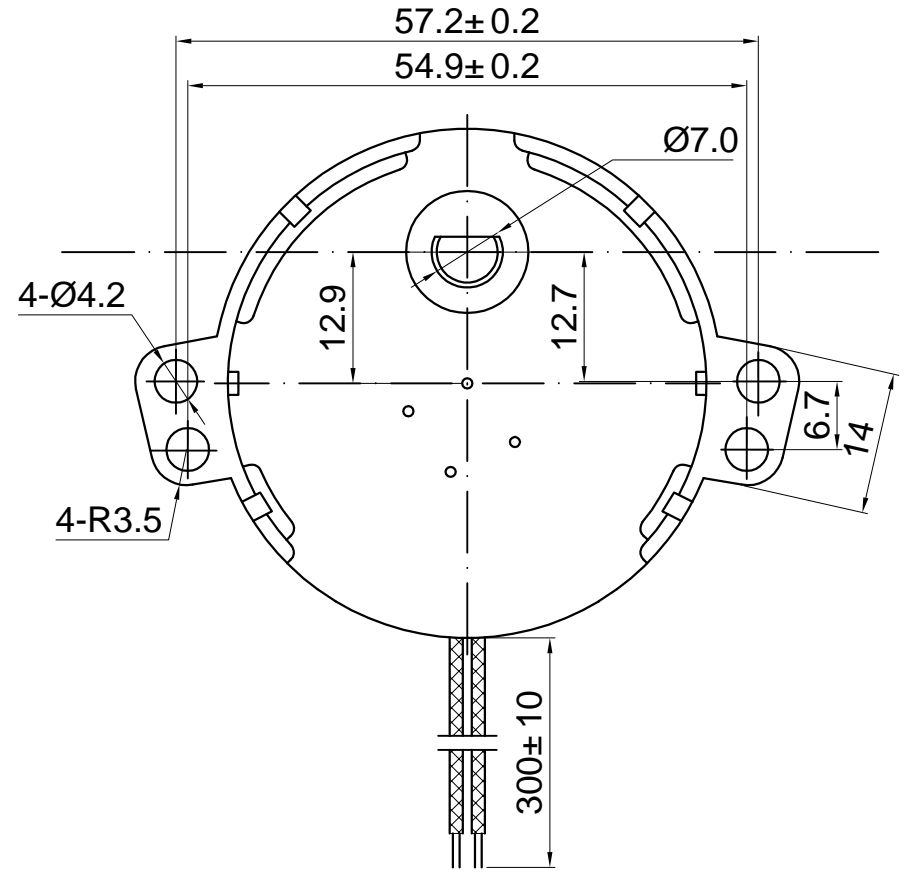
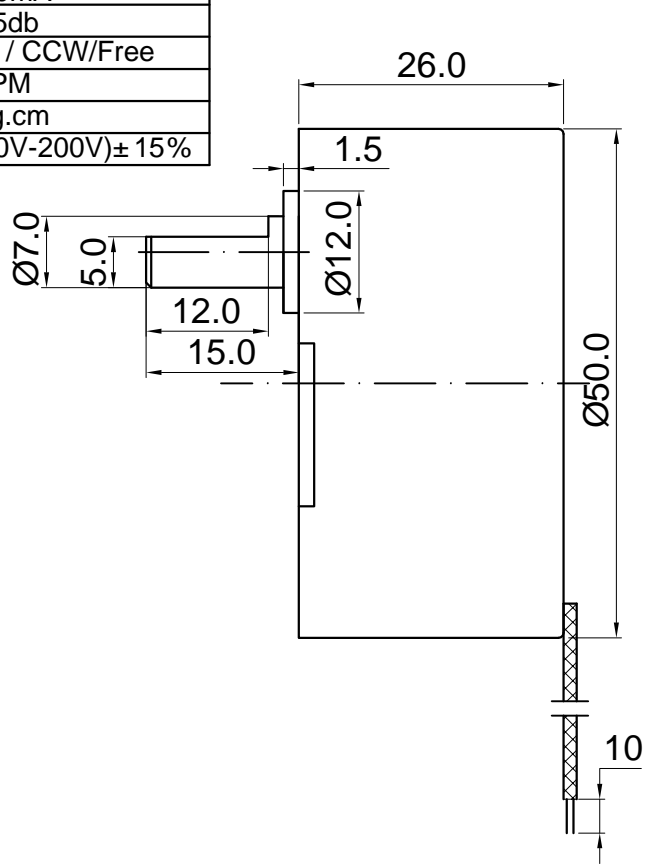


NO.	ITEM	SPECIFICATION
1	Rated Voltage	110V
2	Rated Frequency	50Hz
3	Temperature Rise	≤60K
4	Input Power	≤4W
5	Input Current	≤50mA
6	Noise	≤45db
7	Rotation	CW / CCW/Free
8	Rated Speed	5RPM
9	Rated Torque	8Kg.cm
10	Start Voltage	(100V-200V)± 15%

Rev.	Revision	Date
01	Update	3/15/2011



DRAWN	Andrew	3/15/2011
CHECKED	Sara	3/15/2011
ENG APPR.		
MFG APPR.		
Q.A.		

UNIT: mm		
Kysan Electronics		
SIZE A4	Kysan SKU	REV 01
SCALE: 1 : 2	Weight(kg):	SHEET 1 OF 1

50TYZ-110V5RPM