



UL FILE NO. : E131959
 CUL FILE NO. : E131959
 TUV FILE NO. : R09452200
 TUV termination date 31/12/2017

FEATURES

- Better construction for heat radiating
- 1A (1PST) and 1C (1PDT) contact form are available
- UL, CUL, TUV approved
- Using at home appliances, office machines, audio equipment, coffee pot, control units, etc

ORDERING INFORMATION

LE 1A — 12 T W
 1 2 3 4 5

- | | |
|-------------------------|-------------------|
| 1. Type | 4. Contact Rating |
| 2. Contact Arrangement | T : 10A |
| Nil : 1 Form C(1PDT) | F : 15A |
| 1A : 1 Form A(1PST-NO) | 5. Enclosure |
| 1B : 1 Form B(1PST-NC) | W : Sealed Type |
| 3. Coil Nominal Voltage | |

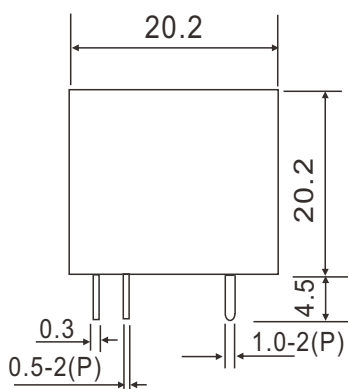
COIL DATA(0.36W,0.63W, at 25°C)

Coil Nominal Voltage (VDC)	Resistance Tol.±10% (Ohms)		Nominal Current (mA)		Maximum Pick Up Voltage (V)	Minimum Drop Out Voltage (V)
	T	F	T	F		
3	25		120		2.25	0.3
5	70		72		3.75	0.5
6	100	57	60	105	4.50	0.6
9	225	128	40	70	6.75	0.9
12	400	225	30	53	9.00	1.2
24	1,600	1,600	15	15	18.00	2.4
48	6,400		7.5		36.00	4.8

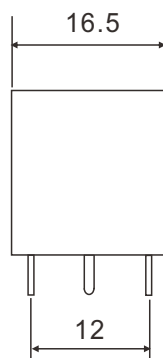
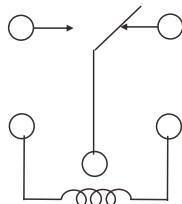
CONTACT RATING

T TYPE	Resistive (Cos.θ = 1)	AC 120V / DC 24V	10A
		AC 240V	6A
	Inductive (Cos.θ = 0.4)	AC 120V / DC 24V	6A
		AC 240V	3A
F TYPE	Resistive (Cos.θ = 1)	DC 24V	15A
		Making Capacity	30A

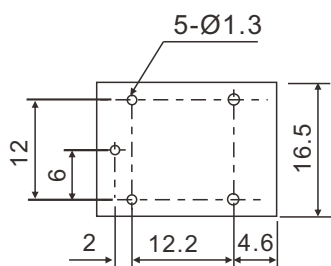
DIMENSIONS(±0.2mm)



WIRING DIAGRAM
(BOTTOM VIEW)



P.C.B LAYOUT
(BOTTOM VIEW)



GENERAL DATA

Insulation Resistance	100 MΩ Min. (DC 500V)
Dielectric Strength	750 VAC, 50/60Hz between contact.
	1,500 VAC, 50/60Hz between all elements.
Contact Material	Ag Alloy
Contact Resistance	100 milliohms max. (initial value)
Shock Resistance	Malfunction: 10G(11ms) ; Destructive: 100G(6ms)
Vibration Resistance	Malfunction: 10 to 55 Hz. at Double Amplitude of 1.5 mm
	Destructive: 10 to 55 Hz. at Double Amplitude of 1.5 mm
Operation Time	10 ms max.
Release Time	5 ms max.
Temperature Range	- 40°C ~ + 85°C
Expected Life	With operation rate 30/min.
	Mechanical - 10,000,000 operations min.
	Electrical - 100,000 operations min. at rated load.
Weight	12 grams