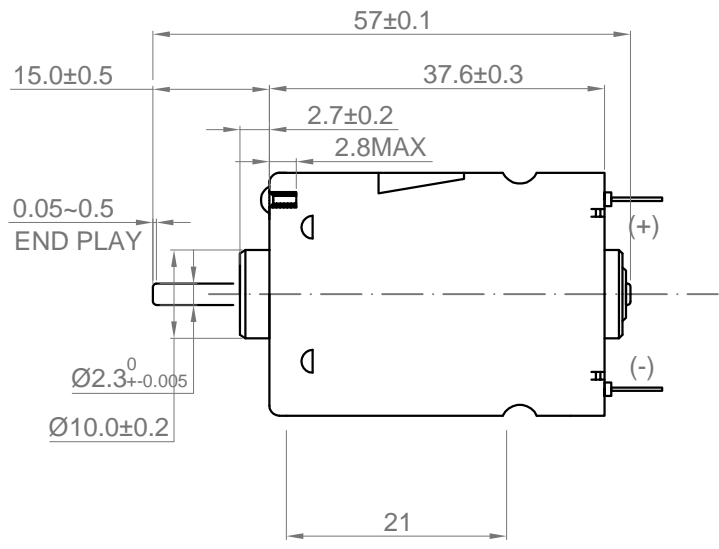
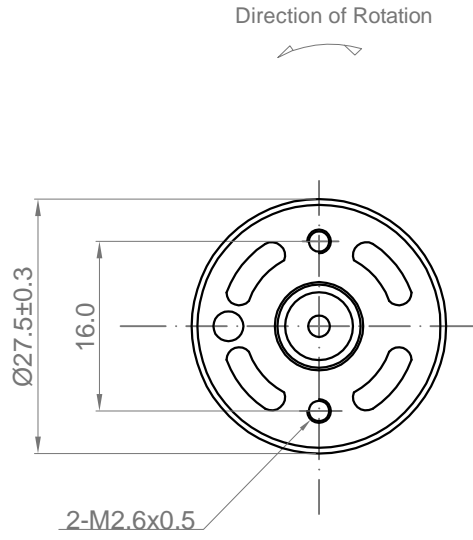
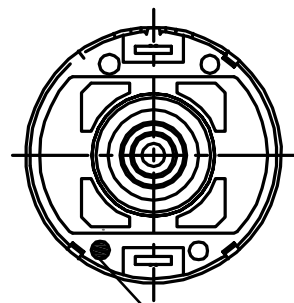


Rev.	Description	Date
01	Release for Production	25/3/2013



UNIT:MILLIMETERS



RED NOT INDICATES POSITIVE TERRMINAL

NO.	Item	Specification	NO.	Item	Specification
1	Nominal Voltage	20.0 VDC	7		
2	No-load Speed	17000± 2250rpm			
3	No-load Current	0.32A Max			
4	Fan Load Speed	10500± 1260rpm			
5	Fan Load Current	3.5A Max			
6	Fan Load	Size 80x1.5mm			

Drawn	Lawrence	04/29/2016
Checked		
Eng Appr.		
Mfg Appr.		
Q.A.		
SKU	15953	

Kysan Electronics

www.kysanelectronics.com

info@kysanelectronics.com

Size : A4	Weight(Kg):	Unit: mm
Scale:1:1.5		Sheet 1of 1