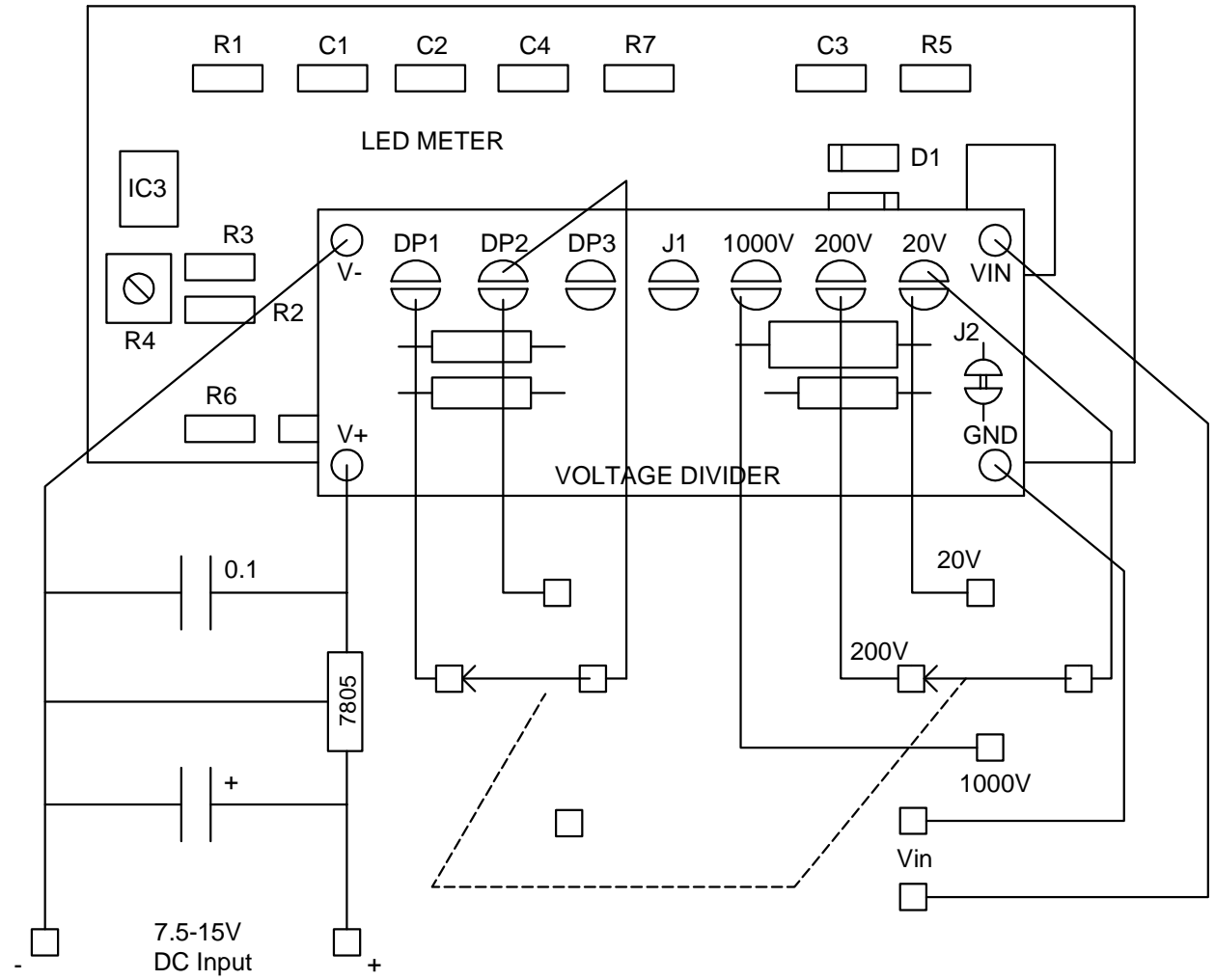


Rev.	Description	Date
01	Release for Production	08/13/2012



Note:
 For 5V Common Ground
 Connection, Open Circuit J2

Drawn	Feny	08/13/2012
Checked	Sara	08/13/2012
Eng Appr.		
Mfg Appr.		
Q.A.		
SKU	5111024	

Kysan Electronics		
www.kysanelectronics.com		
info@kysanelectronics.com		
Size : A4	Weight(g):	Unit: mm
Scale: 1:1		Sheet 1 of 1