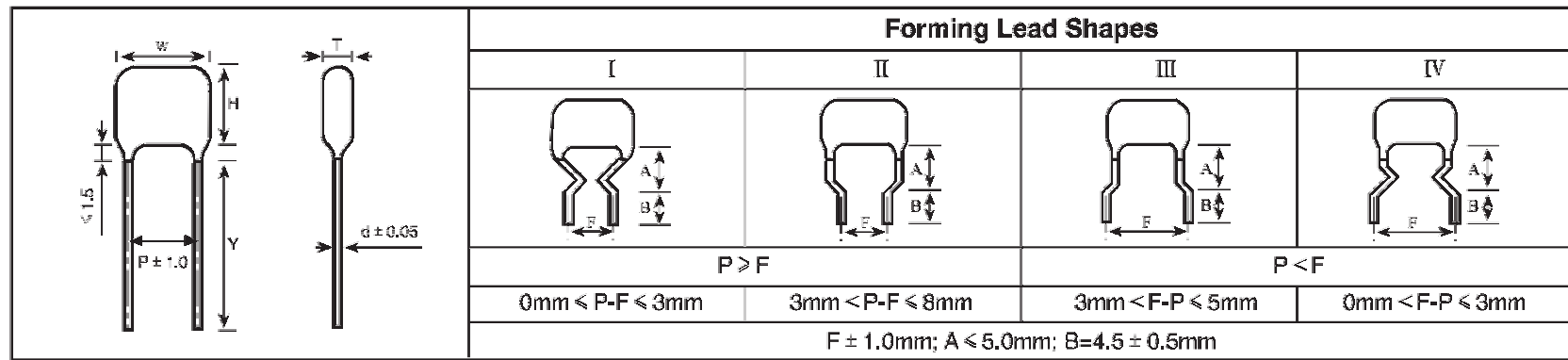


Rev.	Description	Date
01	Release for Production	09/12/2012



C212A105-4A: C21=CL21
 2A=100V
 105=10 x 10³
 4=Pitch 10.0mm
 A=Pattern III

Dimensions(mm): W max=12.3
 H max=10.3
 T max=6.6
 P=10.0
 d=0.6

■ Features

- metallized polyester film, non-inductive wound construction
- Wide capacitance range, small size, and light weight
- Long life due to self-healing effect
- Flame retardant epoxy resin coating

■ Typical Applications

- Suitable for blocking, by-pass and coupling of DC and signals to VHF range
- Widely used in filter and low pulse circuits

NO.	Item	Specification	NO.	Item	Specification
1	Reference Standard	GB 7332(IEC 60384-2)	7	Capacitance Tolerance	±5%(J),±10%(K)
2	Climatic Category	55/105/21	8	Voltage Proof	1.6Ur(5S)
3	Rated Temperature	85°C	9	Dissipation Factor	≤1.0% (20°C, 1kHz)
4	Operating Tem Range	-55°C~105°C			
5	Rated Voltage	50/63V/100V/250V/400V/630V			
6	Capacitance Range	0.010~10.0uF			

Drawn			Kysan Electronics www.kysanelectronics.com		
Checked	Lawrence	10/22/2014			
Eng Appr.			info@kysanelectronics.com		
Mfg Appr.					
Q.A.					
SKU	6060182		Size : A4	Weight(Kg):	Unit: mm
			Scale: 4:1		