

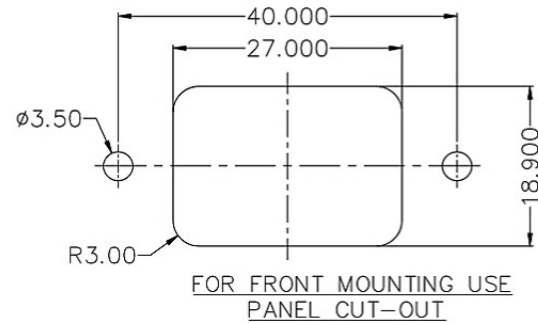
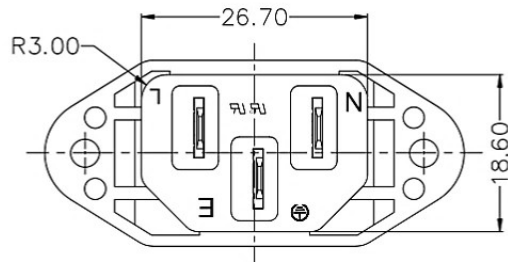
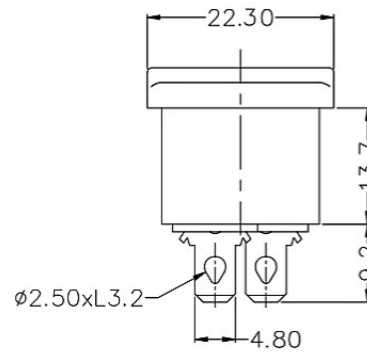
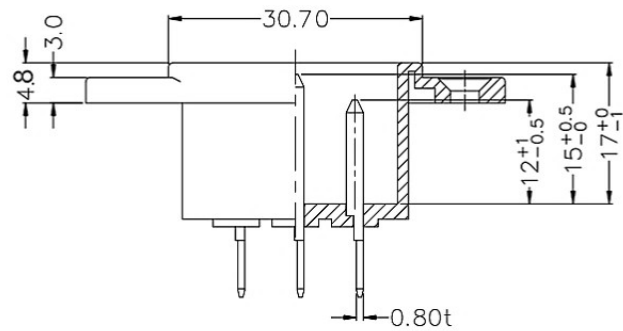
SPECIFICATION

A: MATERIAL:

- 1. HOUSING: PBT(BLACK), UL 94V-0
- 2. PIN: COPPER ALLOY, TIN PLATED

B: CHARACTERISTICS:

- 1. RATING: 10A 250V~ VDE, KC, CCC
15A 125V~ UL
- 2. INSULATION RESISTANCE: 100MΩ MIN, AT 500V DC
- 3. ELECTRIC STRENGTH: AC 2000V FOR ONE MINUTE



Drawn	Tony	05/08/2026	Unit: mm	
Checked	Eva	05/08/2026	Kysan Electronics www.kysanelectronics.com	
Eng Appr.				
Mfg Appr.				
Q.A.				
SKU:			Siae: A4	Weight(Kg):
7014010			Scale	