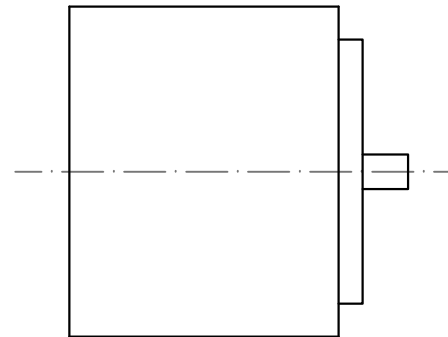
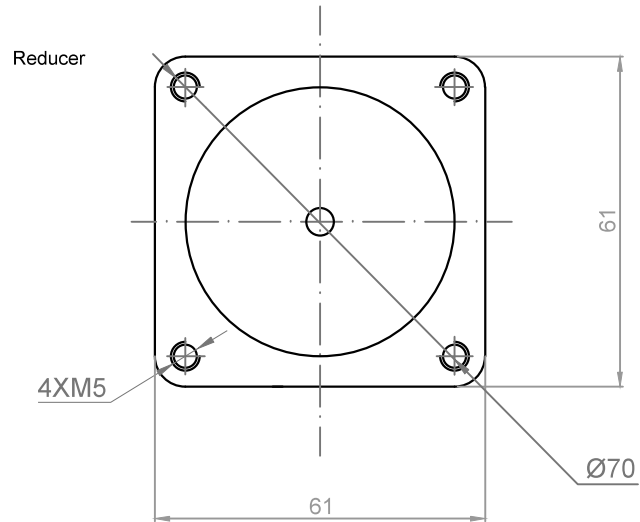
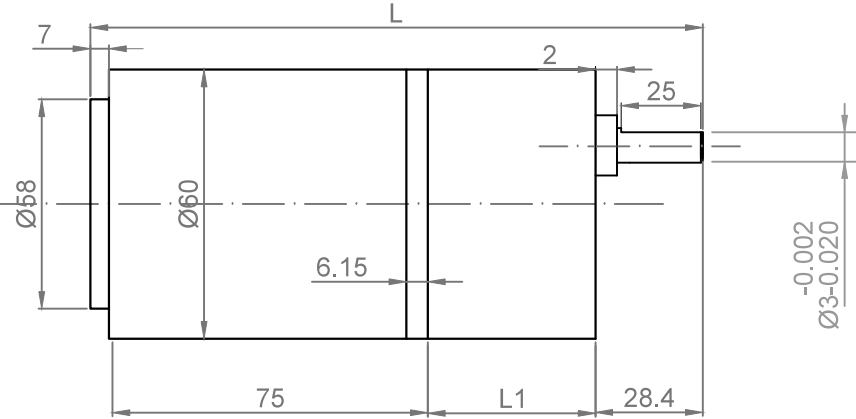
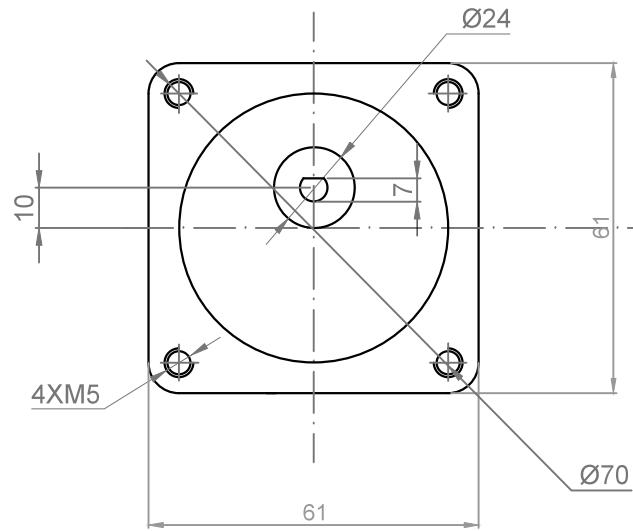


Rev.	Description	Date
01	Release for Production	06/17/2014



NO.	Item	Specification	NO.	Item	Specification
1	Voltage	110V	7	Rated Speed	38±10% RPM
2	Frequency	50HZ	8	Capacitor	2.5/250VAC
3	Out Put	6w	9	Gearbox Ratio	38:1
4	Start Torque	0.45 Kg-cm			
5	Rated Current	0.3A			
6	Rated Torque	0.5 Kg-cm			

Drawn	Lawrence	03/12/2015	Kysan Electronics www.kysanelectronics.com info@kysanelectronics.com		
Checked					
Eng Appr.					
Mfg Appr.					
Q.A.			Size : A4 Scale : 2:1		
SKU	70894				
			Sheet 1 of 1		