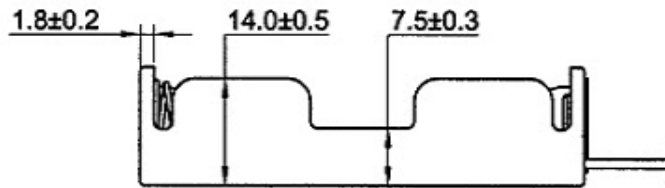
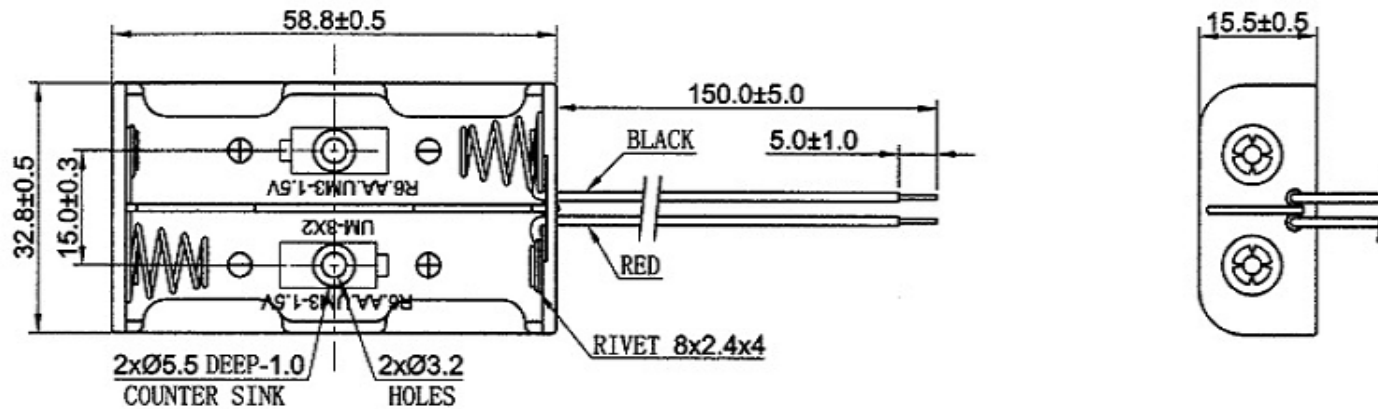


Rev.	Description	Date
G1		



#### SPECIFICATION

- (1) ITEM NO. : BH-321-2A
- (2) WIRE: UL1007 AWG#26  
BLACK & RED: 150MM±5MM  
STRIP & TIN: 5MM±1MM
- (3) HOLDER MATERIAL: PP 3015 RESIN, BLACK COLOR
- (4) SPRING MATERIAL: Ø0.65MM SPRING STEEL NICKEL PLATED
- (5) RIVET MATERIAL: BRASS NICKEL PLATED
- (6) RoHS COMPLIANT

Drawn	Bruce	11/17/2020	Unit: mm  <b>Kysan Electronics</b>  www.kysanelectronics.com info@kysanelectronics.com	
Checked	Tony	11/17/2020		
Eng Appr.				
Mfg Appr.				
Q.A.				
SKU: 9911009			Size :A4	Weight(Kg):
			Scale	