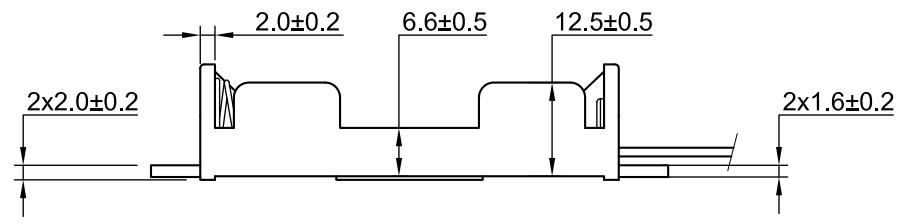
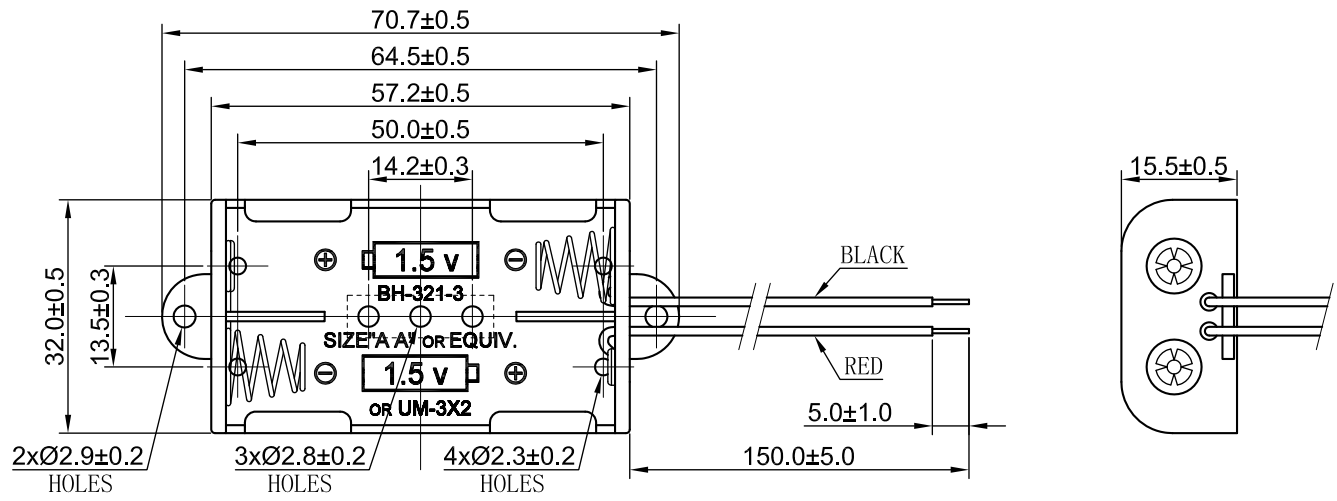


Rev.	Description	Date
01		



SPECIFICATION

- (1) ITEM NO. : BH-321-4A
- (2) WIRE: UL1007 AWG #26,
BLACK & RED: 150MM±5MM
STRIP & TIN: 5MM±1MM
- (3) HOLDER MATERIAL: PP RESIN, BLACK COLOR
- (4) SPRING MATERIAL: Ø0.65MM SPRING STEEL NICKEL PLATED
- (5) RIVET MATERIAL: BRASS NICKEL PLATED
- (6) RoHS COMPLIANT

Drawn	Bruce	08/30/2023	Unit: mm	
Checked	Eva	08/30/2023		
Eng Appr.			Kysan Electronics www.kysanelectronics.com	
Mfg Appr.				
Q.A.				
SKU:			Size :A4	Weight(Kg):
9911010			Scale	