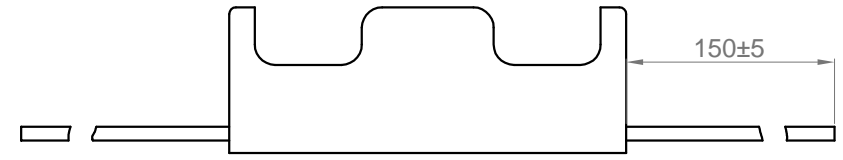
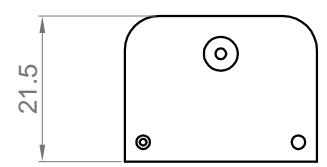
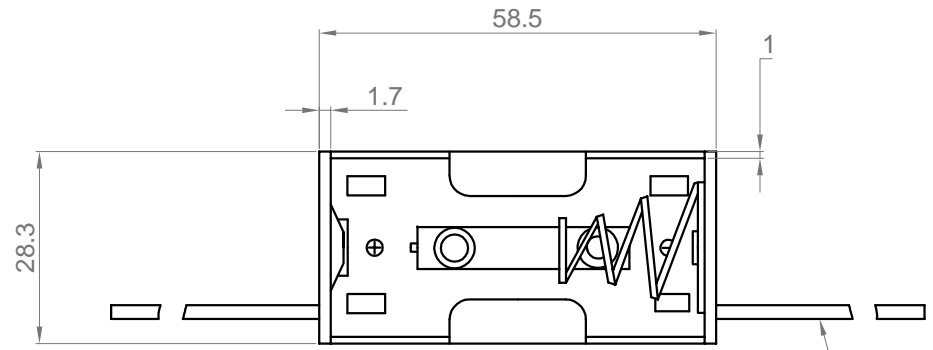
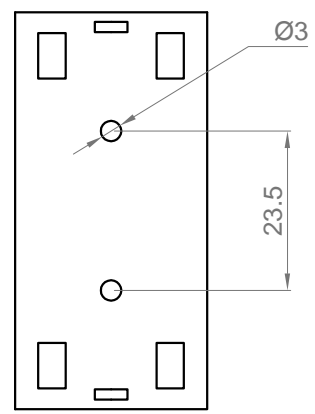


| Rev. | Description | Date |
|------|------------------------|------------|
| 01 | Release for Production | 08/05/2013 |



AMOUNT HOLE SIZE



UL1007AWG26#

Note : Used for 1-C Cell

| NO. | Item | Material |
|-----|--------|----------------|
| 1 | Base | PP |
| 2 | Rivet | 62 CU |
| 3 | Spring | 72A Steel Ø0.8 |
| | | |
| | | |

| | | |
|-----------|---------|------------|
| Drawn | Gimy | 08/05/2013 |
| Checked | Sara | 08/05/2013 |
| Eng Appr. | | |
| Mfg Appr. | | |
| Q.A. | | |
| SKU | 9911035 | |

Kysan Electronics

www.kysanelectronics.com

info@kysanelectronics.com

| | | |
|------------|------------|-------------|
| Size : A4 | Weight(g): | Unit: mm |
| Scale: 2:1 | | Sheet 1of 1 |